



TBB Cutting Tool

KHC Series

夾持工具
CLAMPING TOOL

KHC液壓刀把

“KHC液壓刀把”

精度設計.裝夾重複精度高.穩定精度
適合鑽頭.絞刀.成型刀夾持



團隊切削 行家優選

TEAMCUTTING EXPERT PREFERRED

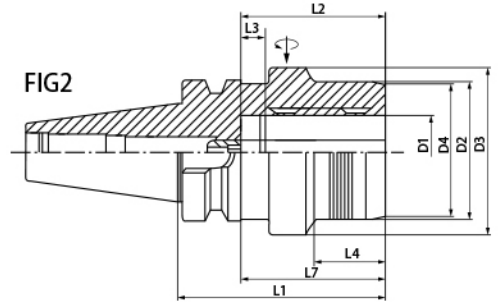
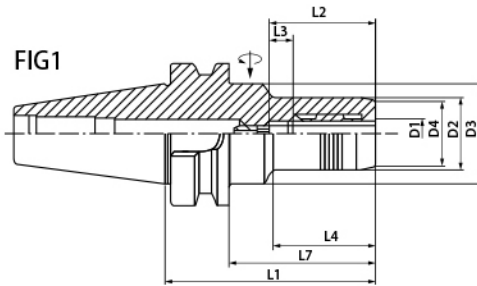
BT40KHC液壓刀把

液壓刀把

Hydraulic Tool Handle

BT40KHC系列

BT40KHC Series



Designation 型號	Dimension (mm)/尺寸										Screw 螺絲	Wrench 扳手
	D1	D2	D3	D4	L1	L2	L3	L4	L7	FIG		
BT40-KHC6-75	06	28	52	22	75	38	10	37	56	FIG 1	M10*1.25	T5
BT40-KHC8-85	08	30	52	23	85	38	10	37	56	FIG 1		
BT40-KHC10-85	10	32	52	25	85	42	10	41	61	FIG 1		
BT40-KHC12-90	12	34	52	27	90	47	10	42	65	FIG 1		
BT40-KHC16-95	16	38	52	31	95	52	10	51	71	FIG 1		
BT40-KHC20-95	20	43	52	35	95	52	10	51	71	FIG 1		
BT40-KHC25-100	25	57	60	47	100	61	10	57	75	FIG 1		
BT40-KHC32-95	32	62	74	56	95	65	10	39	58	FIG 2		

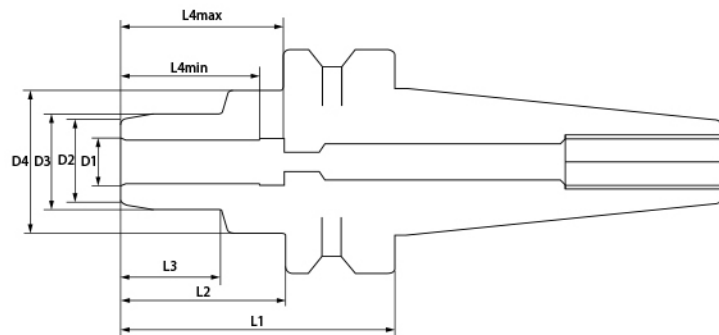
BT50KHC液壓刀把

液壓刀把

Hydraulic Tool Handle

BT50KHC系列

BT50KHC Series



Designation 型號	Dimension (mm)/尺寸									Screw 螺絲	Wrench 扳手
	D1	D2	D3	D4	L1	L2	L3	L4min	L4max		
BT50-KHC20-90	20	37	42	63	90	54	30	42	52	M10*1.25	T5
BT50-KHC25-90	25	51	57	69	90	59	30	51	61		
BT50-KHC32-90	32	57	63	74	90	54	30	55	65		